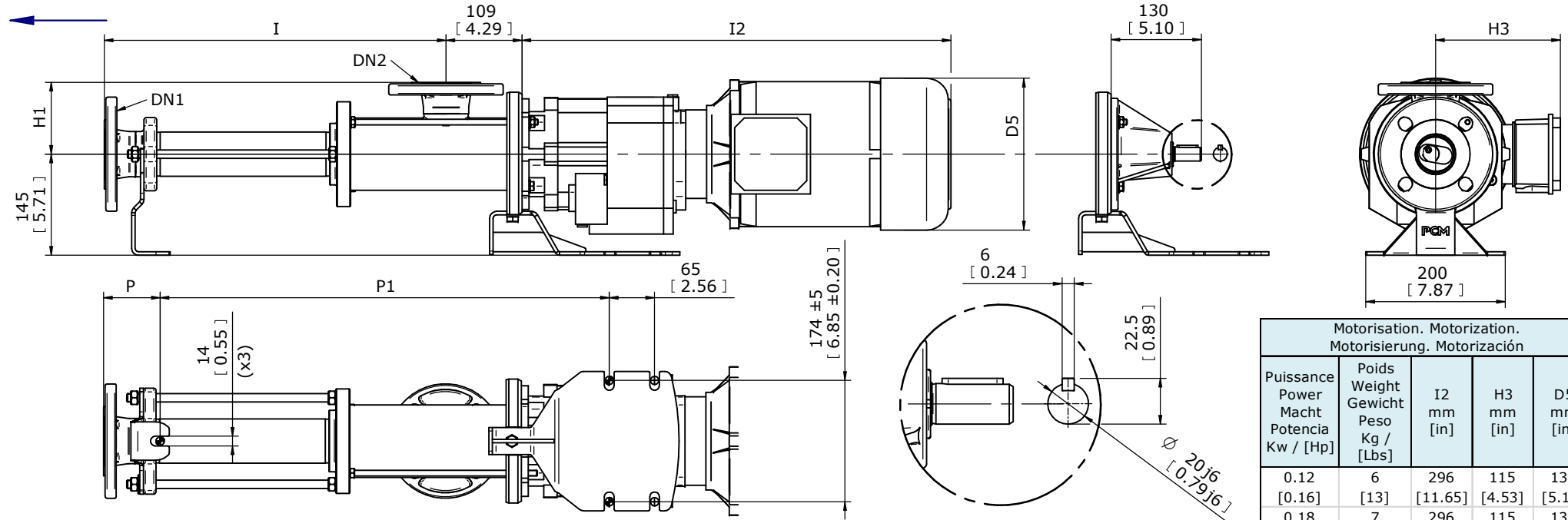


Z = \*\*\* Z : Cote minimum pour le démontage du stator / Minimum dismantling space / Minimaler Platzbedarf für Demontage / Cota minima para el desmontaje del estator

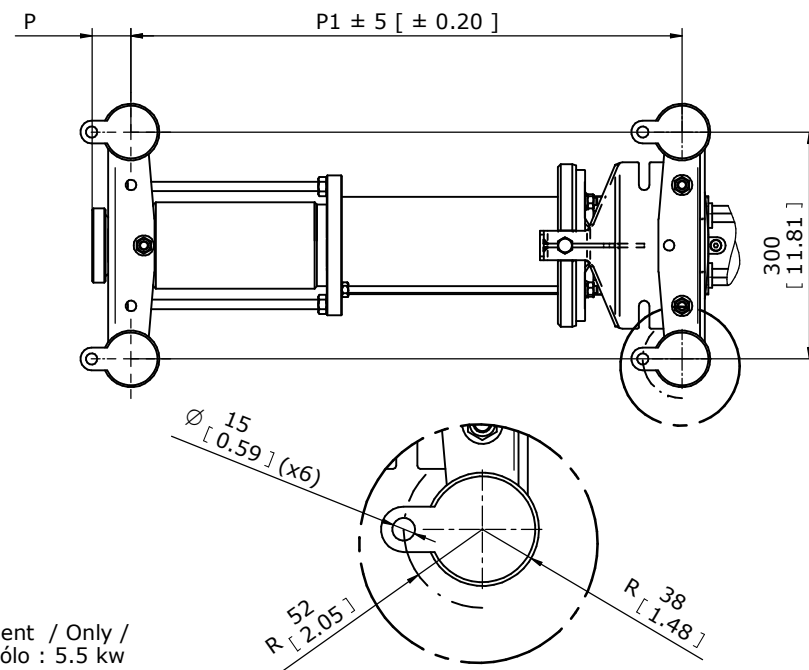
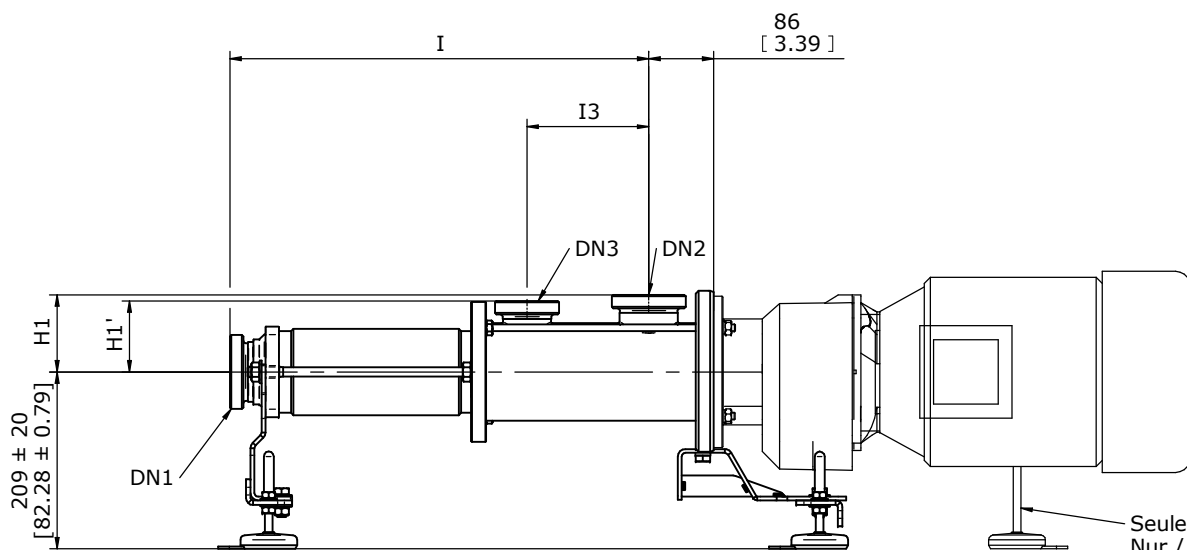


Motorisation. Motorization. Motorisierung. Motorización				
Puissance Power Macht Potencia Kw / [Hp]	Poids Weight Gewicht Peso Kg / [Lbs]	I2 mm [in]	H3 mm [in]	D5 mm [in]
0.12	6	296	115	130
[0.16]	[13]	[11.65]	[4.53]	[5.12]
0.18	7	296	115	130
[0.24]	[15]	[11.65]	[4.53]	[5.12]
0.25	10	339	124	145
[0.34]	[22]	[13.35]	[4.88]	[5.71]
0.37	10	339	124	145
[0.5]	[22]	[13.35]	[4.88]	[5.71]
0.55	16	429	142	165
[0.74]	[35]	[16.89]	[5.59]	[6.5]
0.75	17	429	142	165
[1.01]	[37]	[16.89]	[5.59]	[6.5]
1.1	22	470	147	183
[1.47]	[49]	[18.5]	[5.79]	[7.2]
1.5	32	530	147	183
[2.01]	[71]	[20.87]	[5.79]	[7.2]
2.2	40	560	169	201
[2.95]	[88]	[22.05]	[6.65]	[7.91]
3	40	560	169	201
[4.02]	[88]	[22.05]	[6.65]	[7.91]
4	51	608	179	228
[5.36]	[112]	[23.94]	[7.05]	[8.98]
5.5	51	608	179	228
[7.37]	[112]	[23.94]	[7.05]	[8.98]

Pompe Pump Pumpe Bomba	Z mm [in]	P1 mm [in]	DN1 / DN2 SMS DN63			DN1 / DN2 CLAMP DN63			DN1 / DN2 MACON DN60			DN1 / DN2 DIN DN50			DN1 / DN2 PN40 DN50 Class #50 NPS 2"			Poids Weight Gewicht Peso Kg [Lbs]
			I mm [in]	P mm [in]	H1 mm [in]	I mm [in]	P mm [in]	H1 mm [in]	I mm [in]	P mm [in]	H1 mm [in]	I mm [in]	P mm [in]	H1 mm [in]	I mm [in]	P mm [in]	H1 mm [in]	
6C6S	150 [5.91]	519 [20.43]	343 [13.50]			352 [13.86]			341 [13.43]			392 [15.43]			365 [14.37]			18 [40]
6C12S	275 [10.83]	644 [25.35]	468 [18.43]			477 [18.78]			466 [18.35]			517 [20.35]			490 [19.29]			20 [44]
6C24S	530 [20.87]	898 [35.35]	722 [28.43]			731 [28.78]			720 [28.35]			771 [30.35]			744 [29.29]			23 [51]
13C6S	216 [8.25]	584 [22.99]	408 [16.06]	59 [2.32]	82 [3.23]	417 [16.42]	64 [2.52]	87 [3.43]	406 [20.91]	57 [2.124]	90 [3.54]	457 [17.99]	108 [4.25]	131 [5.16]	430 [16.93]	81 [3.19]	103 [4.06]	20 [44]
13C12S	425 [16.73]	793 [31.22]	617 [24.29]			626 [24.65]			615 [24.21]			666 [26.22]			639 [25.16]			22 [49]
20C6L	368 [14.49]	726 [28.58]	550 [21.65]			559 [22.01]			548 [21.57]			599 [23.58]			572 [22.52]			26 [57]
25C6L	428 [16.85]	786 [30.94]	610 [24.02]			619 [24.37]			608 [23.94]			659 [25.94]			632 [24.88]			27 [60]

Les cotes sont données à titre indicatif et ne peuvent en aucun cas engager la responsabilité du constructeur - Approximate dimensions only. Not for construction ! - Technische Nderungen Vorbehalten - Las cotas se indican a título orientativo y no son en nignun cas responsabilidad del constructor.

1 rue René Moineau 49123 Champtocé-Sur-Loire France Phone : +33 (0)1.77.68.31.00 Fax : +33 (0)1.77.68.31.35 www.pcm.eu		PLAN D'IMPLANTATION MABZEICHNUNG GENERAL ARRANGEMENT DRAWING PLANO DE CONJUNTO POMPE - PUMP PUMPE - BOMBA <b>C4 MI</b>	Nom / Name : <b>CHABERT</b>	Date : <b>11/12/2012</b>
			Vérification : <b>GAUVRIT</b>	Date : <b>13/09/2013</b>
<b>N°: TPE00547-1</b>			Rev. <b>B</b>	



Pompe Pump Pumpe Bomba	P1 mm [in]	DN1 / DN2 SMS DN63						DN1 / DN2 CLAMP DN63					DN1 / DN2 DIN DN50					Poids Weight Gewicht Peso Kg [Lbs]			
		I mm [in]	I3 mm [in]	P mm [in]	H1 mm [in]	H1' mm [in]	DN3	I mm [in]	I3 mm [in]	P mm [in]	H1 mm [in]	H1' mm [in]	DN3	I mm [in]	I3 mm [in]	P mm [in]	H1 mm [in]		H1' mm [in]	DN3	
6C6S	602 [23.70]	373 [14.69]						382 [15.04]						422 [16.61]							Socle Base Sockel Pedestal  5.8 [12.80]
6C12S	727 [28.62]	498 [19.61]						507 [19.96]						547 [22.60]							
6C24S	981 [38.62]	752 [29.65]						761 [29.96]						801 [31.54]							
13C6S	667 [26.26]	438 [17.24]	121 [4.76]	41 [1.61]	82 [3.23]	78 [3.07]	DN51	437 [17.20]	121 [4.76]	46 [1.81]	87 [3.43]	87 [3.43]	DN51	487 [19.17]	121 [4.76]	90 [3.54]	131 [5.16]	93 [3.66]	DN50		
13C12S	876 [34.49]	647 [25.47]						656 [25.83]						696 [27.40]							
20C6L	809 [31.85]	580 [22.83]						589 [23.19]						629 [24.76]							
25C6L	869 [34.21]	640 [25.20]						649 [25.55]						689 [27.13]							

Les cotes sont données à titre indicatif et ne peuvent en aucun cas engager la responsabilité du constructeur - Approximate dimensions only. Not for construction! - Technische Nderungen Vorbehalten - Las cotas se indican a título orientativo y no son en nignun cas responsabilidad del constructor.

1 rue René Moineau  
49123 Champtocé-Sur-Loire  
France  
Phone : +33 (0)1.77.68.31.00  
Fax : +33 (0)1.77.68.31.35  
www.pcm.eu



Keep it  
moving

PLAN D'IMPLANTATION GENERAL ARRANGEMENT DRAWING  
MABZEICHNUNG PLANO DE CONJUNTO

POMPE - PUMP  
PUMPE - BOMBA

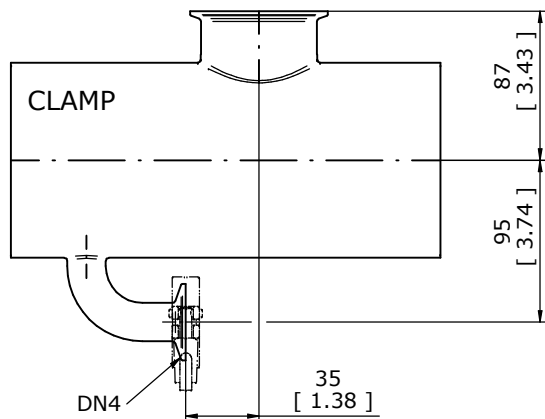
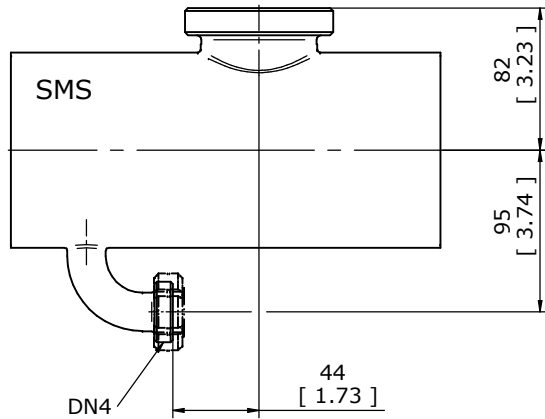
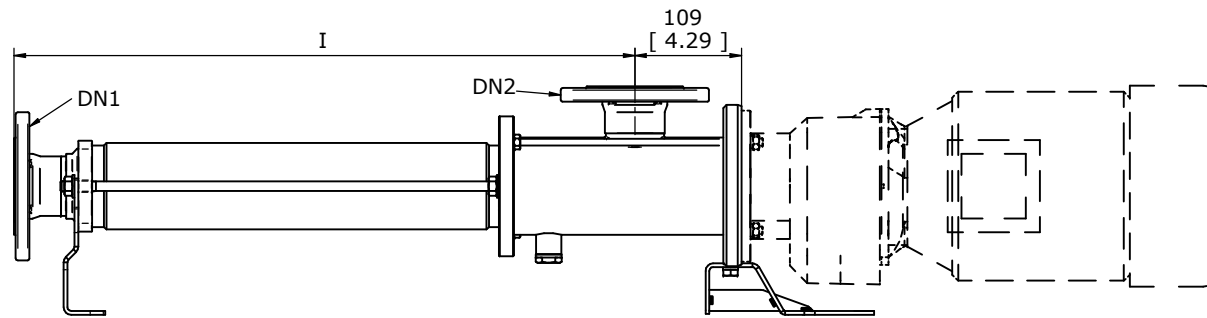
**C4 MI Option - Opción**

Nom / Name : **CHABERT** Date : **11/12/2012**  
Vérification : **GAUVRIT** Date : **13/09/2013**

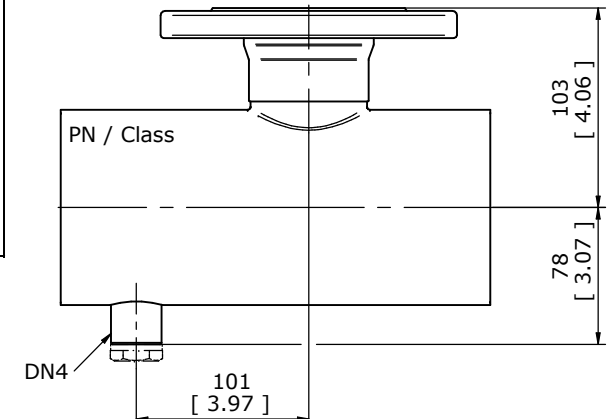
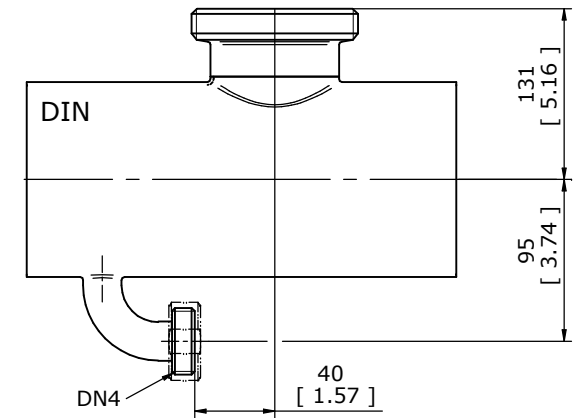
**N°: TPE00547-2**

Rev.

**B**



Pompe Pump Pumpe Bomba	DN1 / DN2 SMS DN63		DN1 / DN2 CLAMP DN63		DN1 / DN2 DIN DN50		DN1 / DN2 PN40 DN50 Class 150 NPS 2"	
	I mm [in]	DN4	I mm [in]	DN4	I mm [in]	DN4	I mm [in]	DN4
6C6S	343 [13.50]	DN25	352 [13.86]	DN25	392 [15.43]	DN20	365 [14.37]	G 3/4
6C12S	468 [18.43]		477 [18.78]		517 [20.35]		490 [19.29]	
6C24S	722 [28.43]		731 [28.78]		771 [30.35]		744 [29.29]	
13C6S	408 [16.06]		417 [16.42]		457 [17.99]		430 [16.93]	
13C12S	617 [24.29]		626 [24.65]		666 [26.22]		639 [25.16]	
20C6L	550 [21.65]		559 [22.01]		599 [23.58]		572 [22.52]	
25C6L	610 [24.02]		619 [24.37]		659 [25.94]		632 [24.88]	



Les cotes sont données à titre indicatif et ne peuvent en aucun cas engager la responsabilité du constructeur - Approximate dimensions only. Not for construction! - Technische Nderungen Vorbehalten - Las cotas se indican a título orientativo y no son en nignun cas responsabilidad del constructor.

1 rue René Moineau  
49123 Champocé-Sur-Loire  
France  
Phone : +33 (0)1.77.68.31.00  
Fax : +33 (0)1.77.68.31.35  
www.pcm.eu



PLAN D'IMPLANTATION GENERAL ARRANGEMENT DRAWING  
MABZEICHNUNG PLANO DE CONJUNTO

POMPE - PUMP  
PUMPE - BOMBA

**C4 MI Option - Opción**

Nom / Name : **CHABERT** Date : **11/12/2012**  
Vérification : **GAUVRIT** Date : **13/09/2013**

**N°: TPE00547-3**

Rev.  
**B**