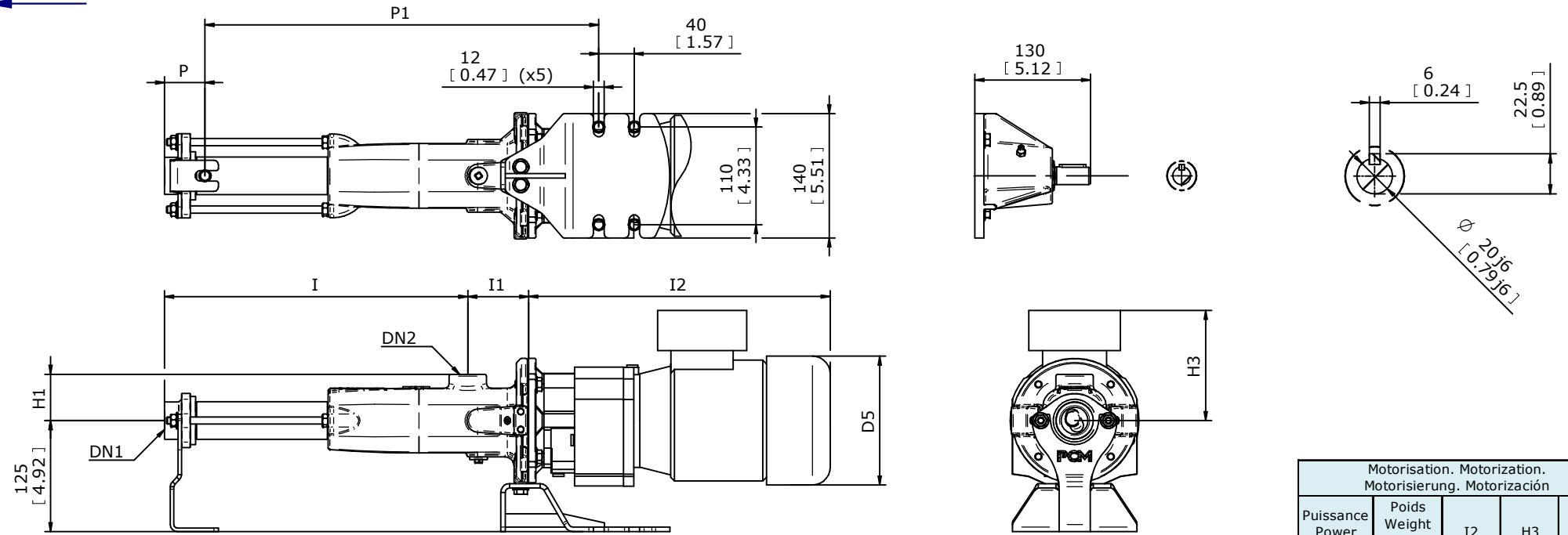


Z = ***

Z : Cote minimum pour le démontage du stator / Minimum dismantling space / Minimaler Platzbedarf für Demontage / Cota minima para el desmontaje del estator



Pompe Pump Pumpe Bomba	Poids Weight Gewicht Peso Kg [Lbs]	Z mm [in]	I1 mm [in]	P1 mm [in]	DN1 / DN2 Rp 1" or NPT 1"			DN1 / DN2 SMS DN25 Adaptateur SMS DN25 Adapter			DN1 / DN2 CLAMP DN25 Adaptateur CLAMP DN25 Adapter			DN1 / DN2 DIN DN25 Adaptateur DIN DN25 Adapter			DN1 / DN2 PN40 DN20 Adaptateur Class150 NPS 3/4" Adapter		
					I mm [in]	P mm [in]	H1 mm [in]	I mm [in]	P mm [in]	H1 mm [in]	I mm [in]	P mm [in]	H1 mm [in]	I mm [in]	P mm [in]	H1 mm [in]	I mm [in]	P mm [in]	H1 mm [in]
003C24S	6.5 [14.3]	115 [4.53]	68.5 [2.70]	390 [15.35]	288 [11.34]		52 [2.05]	307 [12.08]		71 [2.79]	305 [12.00]		69 [2.72]	313 [12.32]		77 [3.03]	312 [12.28]		76 [2.99]
05C12S	6.5 [14.3]	115 [4.53]	68.5 [2.70]	390 [15.35]	288 [11.34]		52 [2.05]	307 [12.08]		71 [2.79]	305 [12.00]		69 [2.72]	313 [12.32]		77 [3.03]	312 [12.28]		76 [2.99]
05C24S	7 [15.4]	215 [8.46]	68.5 [2.70]	490 [19.29]	388 [15.27]		52 [2.05]	407 [16.02]		71 [2.79]	405 [15.94]		69 [2.72]	413 [16.26]		77 [3.03]	412 [16.22]		76 [2.99]
1C12S	6.5 [14.3]	168 [6.61]	68.5 [2.70]	443 [17.44]	341 [13.43]	45 [1.78]	52 [2.05]	360 [14.17]	64 [2.52]	71 [2.79]	358 [14.09]	62 [2.44]	69 [2.72]	366 [14.41]	70 [2.76]	77 [3.03]	365 [14.37]	69 [2.72]	76 [2.99]
1C24S	7 [15.4]	318 [12.52]	68.5 [2.70]	593 [23.35]	491 [19.33]		52 [2.05]	510 [20.08]		71 [2.79]	508 [20.00]		69 [2.72]	516 [20.31]		77 [3.03]	515 [20.27]		76 [2.99]
3C12S	8.5 [18.7]	230 [9.05]	74.5 [2.93]	536 [21.10]	428 [16.85]		59 [2.32]	447 [17.60]		78 [3.07]	445 [17.52]		76 [2.99]	453 [17.83]		84 [3.31]	452 [17.79]		83 [3.27]
3C24S	10 [22]	440 [17.32]	74.5 [2.93]	746 [29.37]	638 [25.12]		59 [2.32]	657 [25.86]		78 [3.07]	655 [25.79]		76 [2.99]	663 [26.10]		84 [3.31]	662 [26.06]		83 [3.27]

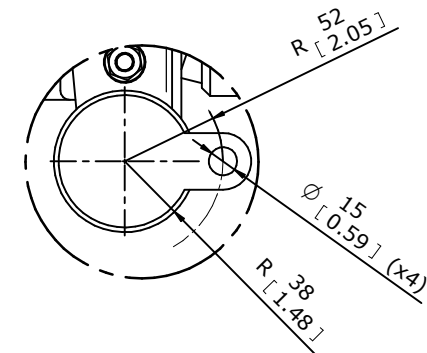
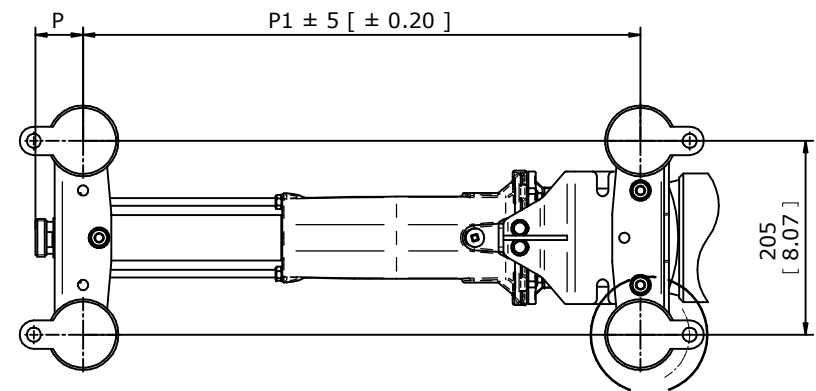
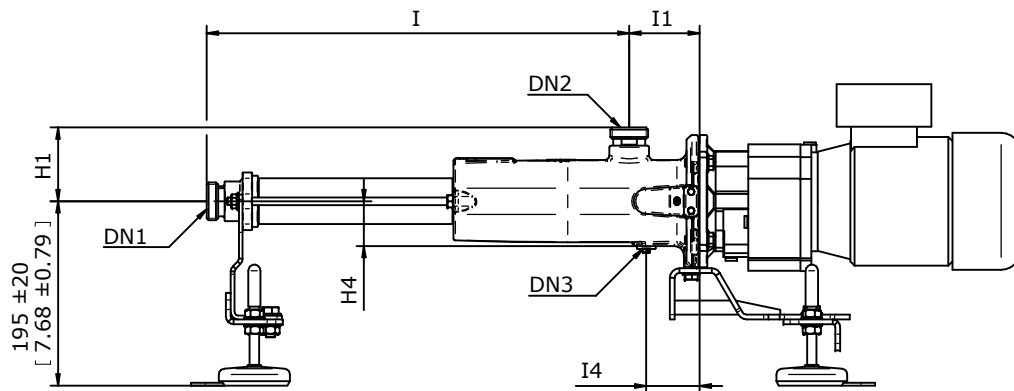
Motorisation. Motorization. Motorisierung. Motorización				
Puissance Power Macht Potencia Kw / [Hp]	Poids Weight Gewicht Peso Kg / [Lbs]	I2 mm [in]	H3 mm [in]	D5 mm [in]
0,12 [0.16]	6 [13]	296 [11.65]	115 [4.53]	130 [5.12]
0,18 [0.24]	7 [15]	296 [11.65]	115 [4.53]	130 [5.12]
0,25 [0.34]	10 [22]	339 [13.35]	124 [4.88]	145 [5.71]
0,37 [0.5]	10 [22]	339 [13.35]	124 [4.88]	145 [5.71]
0,55 [0.74]	16 [35]	429 [16.89]	142 [5.59]	165 [6.5]
0,75 [1.01]	17 [37]	429 [16.89]	142 [5.59]	165 [6.5]
1,1 [1.47]	22 [49]	470 [18.5]	147 [5.79]	183 [7.2]
1,5 [2.01]	32 [71]	530 [20.87]	147 [5.79]	183 [7.2]
2,2 [2.95]	40 [88]	560 [22.05]	169 [6.65]	201 [7.91]

Les cotes sont données à titre indicatif et ne peuvent en aucun cas engager la responsabilité du constructeur - Approximate dimensions only. Not for construction ! - Technische Nderungen Vorbehalten - Las cotas se indican a titulo orientativo y no son en nigan cas responsabilidad del constructor.

1 rue René Moineau 49123 Champtocé-Sur-Loire France Phone : +33 (0)1.77.68.31.00 Fax : +33 (0)1.77.68.31.35 www.pcm.eu		PLAN D'IMPLANTATION MABZEICHNUNG GENERAL ARRANGEMENT DRAWING PLANO DE CONJUNTO POMPE - PUMP PUMPE - BOMBA C3 MI	Dessiné par : PIEPIORA	Le : 20/06/2013
			Vérifié par : CHABERT	Le : 20/06/2013
N°: TPE00558			Feuille : 1/2 Rev. : A	

Z = ***

Z : Cote minimum pour le démontage du stator / Minimum dismantling space / Minimaler Platzbedarf für Demontage / Cota minima para el desmontaje del estator



Pompe Pump Pumpe Bomba	Poids Weight Peso Kg [Lbs]	Z mm [in]	I1 mm [in]	P1 mm [in]	DN1 / DN2 Rp 1" or NPT 1"			DN1 / DN2 SMS DN25 Adaptateur SMS DN25 Adapter			DN1 / DN2 CLAMP DN25 Adaptateur CLAMP DN25 Adapter			DN1 / DN2 DIN DN25 Adaptateur DIN DN25 Adapter			DN3 Rp 3/8" or NPT 3/8"	
					I mm [in]	P mm [in]	H1 mm [in]	I mm [in]	P mm [in]	H1 mm [in]	I mm [in]	P mm [in]	H1 mm [in]	I mm [in]	P mm [in]	H1 mm [in]	I4 mm [in]	H4 mm [in]
003C24S	6.5 [14.3]	115 [4.53]	68.5 [2.70]	444 [17.48]	288 [11.34]		52 [2.05]	307 [12.08]		71 [2.79]	305 [12.00]		69 [2.72]	313 [12.32]		77 [3.03]		41 [1.61]
05C12S	6.5 [14.3]	115 [4.53]	68.5 [2.70]	444 [17.48]	288 [11.34]		52 [2.05]	307 [12.08]		71 [2.79]	305 [12.00]		69 [2.72]	313 [12.32]		77 [3.03]		41 [1.61]
05C24S	7 [15.4]	215 [8.46]	68.5 [2.70]	544 [21.42]	388 [15.27]		52 [2.05]	407 [16.02]		71 [2.79]	405 [15.94]		69 [2.72]	413 [16.26]		77 [3.03]		41 [1.61]
1C12S	6.5 [14.3]	168 [6.61]	68.5 [2.70]	497 [19.57]	341 [13.43]	31 [1.22]	52 [2.05]	360 [14.17]	50 [1.99]	71 [2.79]	358 [14.09]	48 [1.89]	69 [2.72]	366 [14.41]	56 [2.20]	77 [3.03]	56.5 [2.22]	41 [1.61]
1C24S	7 [15.4]	318 [12.52]	68.5 [2.70]	647 [25.47]	491 [19.33]		52 [2.05]	510 [20.08]		71 [2.79]	508 [20.00]		69 [2.72]	516 [20.31]		77 [3.03]		41 [1.61]
3C12S	8.5 [18.7]	230 [9.05]	74.5 [2.93]	590 [23.22]	428 [16.85]		59 [2.32]	447 [17.60]		78 [3.07]	445 [17.52]		76 [2.99]	453 [17.83]		84 [3.31]		48 [1.87]
3C24S	10 [22]	440 [17.32]	74.5 [2.93]	800 [31.50]	638 [25.12]		59 [2.32]	657 [25.86]		78 [3.07]	655 [25.79]		76 [2.99]	663 [26.10]		84 [3.31]		48 [1.87]

Poids des options Weight of options Gewicht der Optionen Peso de las opciones Kg [Lbs]				
Socle Base Sockel Pedestal (x1)	Bride Flange Flansch Brida (x2)	SMS adaptateur adapter adaptador (x2)	CLAMP adaptateur adapter adaptador (x2)	DIN adaptateur adapter adaptador (x2)
2.9 [6.38]	1.1 [2.42]	0.4 [0.88]	0.4 [0.88]	0.5 [1.1]

Les cotes sont données à titre indicatif et ne peuvent en aucun cas engager la responsabilité du constructeur - Approximate dimensions only. Not for construction! - Technische Nderungen Vorbehalten - Las cotas se indican a titulo orientativo y no son en nigan cas responsabilidad del constructor.

1 rue René Moineau 49123 Champtocé-Sur-Loire France Phone : +33 (0)1.77.68.31.00 Fax : +33 (0)1.77.68.31.35 www.pcm.eu		PLAN D'IMPLANTATION MABZEICHNUNG POMPE - PUMP PUMPE - BOMBA	GENERAL ARRANGEMENT DRAWING PLANO DE CONJUNTO C3 MI	Dessiné par : PIEPIORA	Le : 20/06/2013
				Vérifié par : CHABERT	Le : 20/06/2013
N°: TPE00558				Feuille : 2/2	
				Rev. : A	