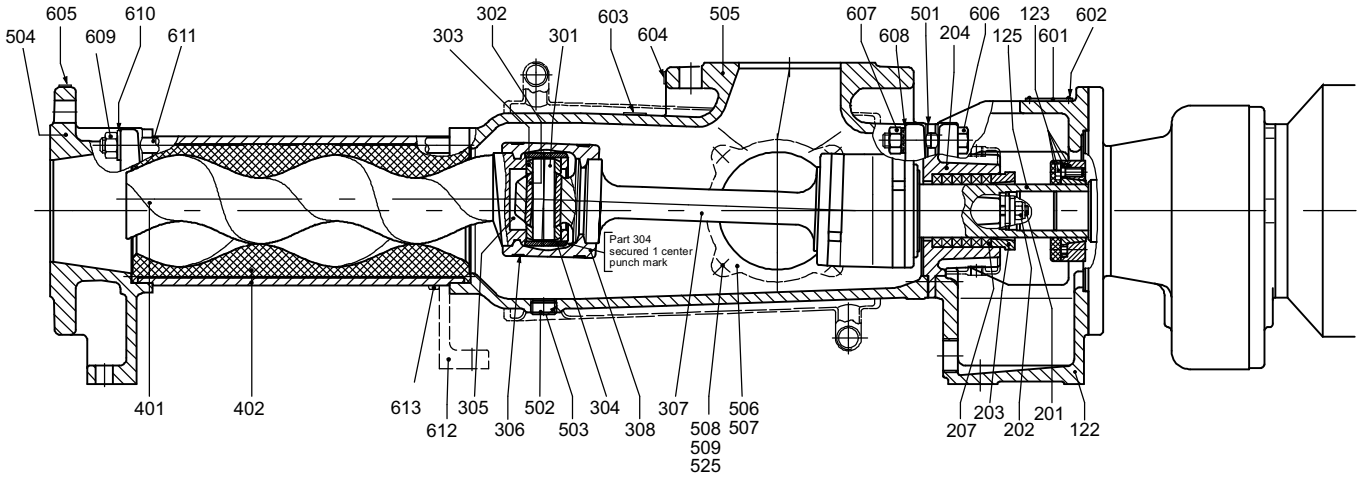
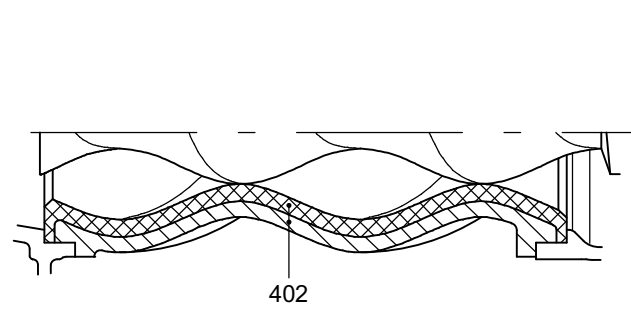


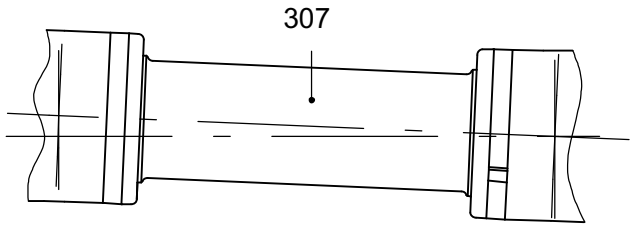
7.4 Sectional drawing with list of components and recommended spare parts / replacement parts for Series AEB.E, AEB.N, AEB.H, AEB.L, AEDB.E, AEDB.N, design IE



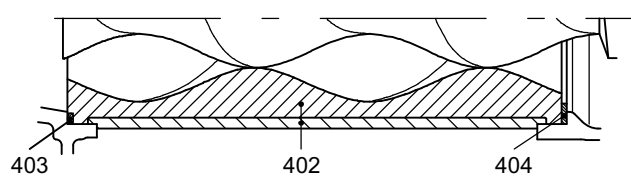
Sectional drawing for series AEB.E, AEB.N, AEB.L, AEDB.E, AEDB.N, design IE



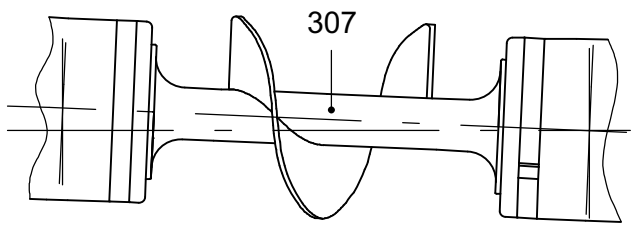
Stator with irregular elastomer wall thickness



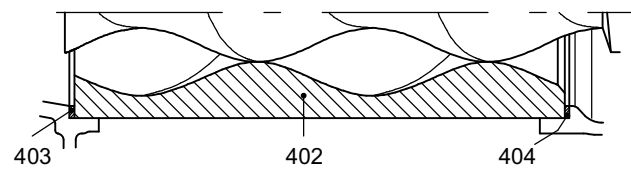
Winding protection on joint shaft



Stator of plastic material



Worm on joint shaft



Stator of metal