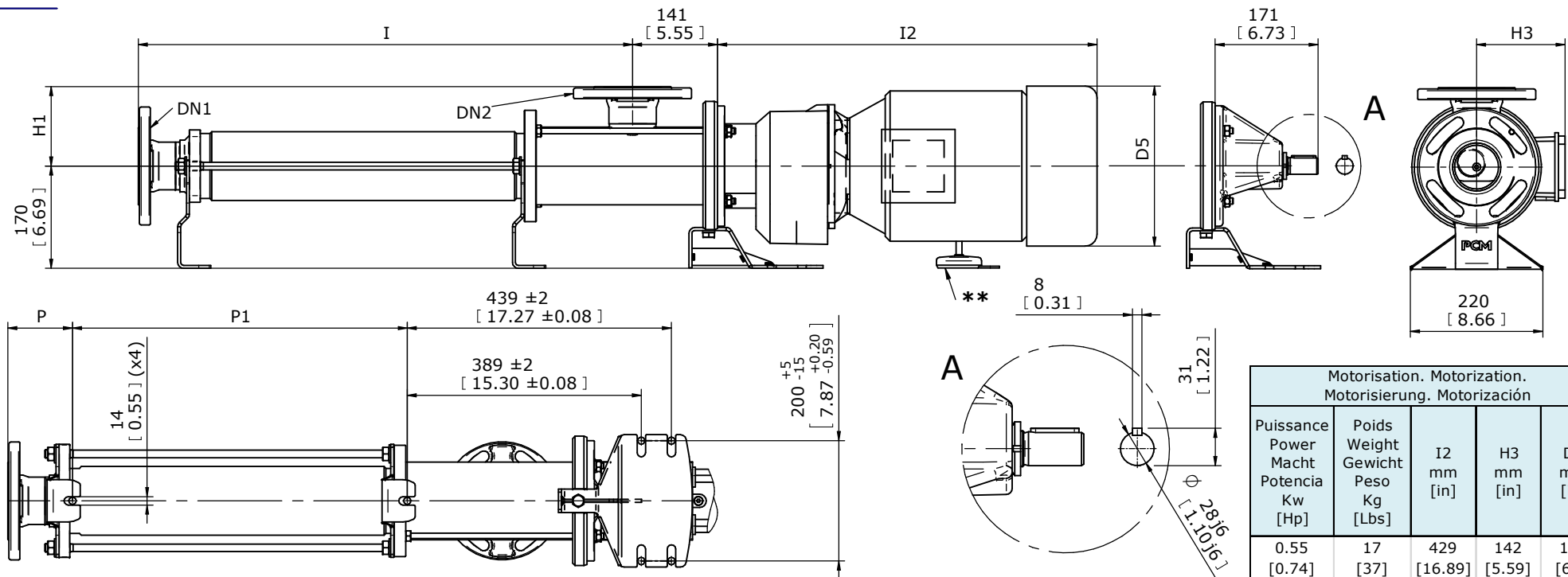


Z = ***

Z : Cote minimum pour le démontage du stator / Minimum dismantling space / Minimaler Platzbedarf für Demontage / Cota minima para el desmontaje del estator



Pompe Pump Pumpe Bomba	Z mm [in]	P1 mm [in]	DN1 / DN2 SMS DN76			DN1 / DN2 CLAMP DN76			DN1 / DN2 MACON DN80			DN1 / DN2 DIN DN80			DN1 / DN2 PN40 DN80 Class 150 NPS 3"			Poids Weight Gewicht Peso Kg [Lbs]
			I mm [in]	P mm [in]	H1 mm [in]	I mm [in]	P mm [in]	H1 mm [in]	I mm [in]	P mm [in]	H1 mm [in]	I mm [in]	P mm [in]	H1 mm [in]	I mm [in]	P mm [in]	H1 mm [in]	
25C6S	292 [11.50]	272 [10.71]	499 [19.65]			504 [19.84]			494 [19.45]			510 [20.08]			537 [21.14]			32 [71]
13C24S	801 [31.54]	789 [31.06]	1016 [40.00]			1021 [40.20]			1011 [39.80]			1027 [40.43]			1054 [41.50]			36 [79]
18C12S	523 [20.59]	518 [20.39]	745 [29.33]	69 [2.72]	94 [3.70]	750 [29.53]	74 [2.91]	99 [3.90]	740 [29.13]	64 [2.52]	100 [3.94]	756 [29.76]	80 [3.15]	113 [4.45]	783 [30.83]	107 [4.21]	132 [5.20]	38 [84]
25C12S	576 [22.68]	556 [21.89]	783 [30.83]			788 [31.02]			778 [30.63]			794 [31.26]			821 [32.32]			42 [93]
30C6L	417 [16.42]	397 [15.63]	626 [24.65]			631 [24.84]			621 [24.45]			637 [25.08]			664 [26.14]			36 [79]
40C6L	576 [22.68]	556 [21.89]	783 [30.83]			788 [31.02]			778 [30.63]			794 [31.26]			821 [32.32]			41 [90]

Motorisation. Motorization. Motorisierung. Motorización				
Puissance Power Macht Potencia Kw [Hp]	Poids Weight Gewicht Peso Kg [Lbs]	I2 mm [in]	H3 mm [in]	D5 mm [in]
0.55 [0.74]	17 [37]	429 [16.89]	142 [5.59]	165 [6.5]
0.75 [1.01]	18 [40]	429 [16.89]	142 [5.59]	165 [6.5]
1.1 [1.47]	19 [42]	470 [18.5]	147 [5.79]	183 [7.2]
1.5 [2.01]	30 [66]	496 [19.53]	147 [5.79]	183 [7.2]
2.2 [2.95]	34 [75]	526 [20.71]	169 [6.65]	201 [7.91]
3 [4.02]	42 [93]	547 [21.54]	169 [6.65]	201 [7.91]
4 [5.36]	52 [115]	570 [22.44]	179 [7.05]	228 [8.98]
5.5 [7.37]	66 [146]	644 [25.35]	204 [8.03]	266 [10.47]
7.5 [10.05]	77 [170]	644 [25.35]	204 [8.03]	266 [10.47]

** Seulement / Only / Nur / Sólo : 5.5 - 7.5 kw

Les cotes sont données à titre indicatif et ne peuvent en aucun cas engager la responsabilité du constructeur - Approximate dimensions only. Not for construction ! - Technische Nderungen Vorbehalten - Las cotas se indican a titulo orientativo y no son en nigan cas responsabilidad del constructor.

1 rue René Moineau
49123 Champtocé-Sur-Loire
France
Phone : +33 (0)1.77.68.31.00
Fax : +33 (0)1.77.68.31.35
www.pcm.eu



PLAN D'IMPLANTATION GENERAL ARRANGEMENT DRAWING
MABZEICHNUNG PLANO DE CONJUNTO

POMPE - PUMP
PUMPE - BOMBA

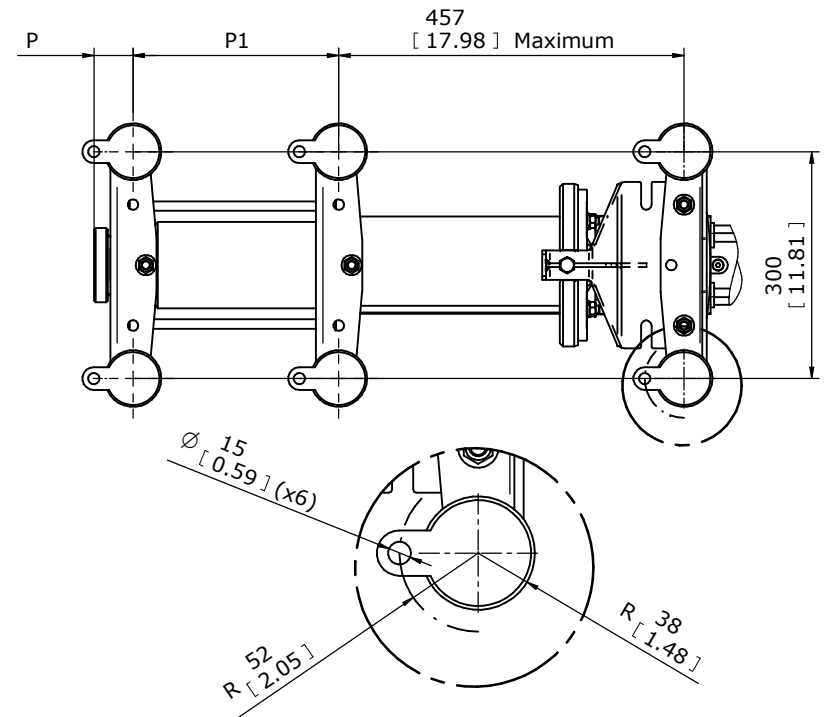
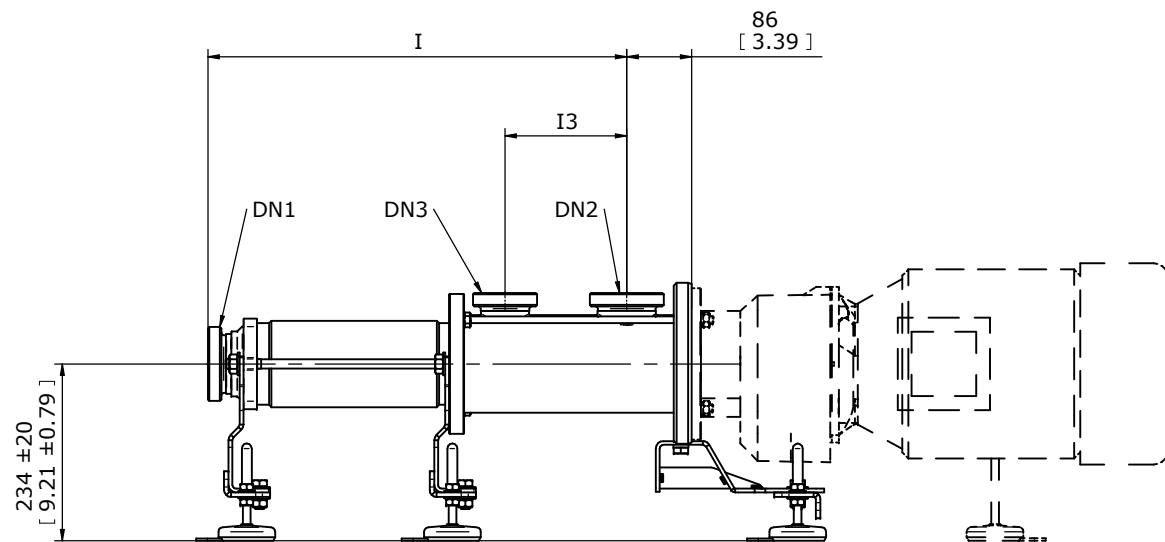
C5 MI

Nom / Name : **CHABERT** Date : **13/02/2012**
Vérification : **GAUVRIT** Date : **11/12/2012**

N°: TPE00521-1

Rev.

D



Pompe Pump Pumpe Bomba	P1 mm [in]	DN1 / DN2 SMS DN76						DN1 / DN2 CLAMP DN76						DN1 / DN2 DIN DN80						Poids Weight Gewicht Peso Kg [Lbs]		
		I mm [in]	I3 mm [in]	P mm [in]	H1 mm [in]	H1' mm [in]	DN3	I mm [in]	I3 mm [in]	P mm [in]	H1 mm [in]	H1' mm [in]	DN3	I mm [in]	I3 mm [in]	P mm [in]	H1 mm [in]	H1' mm [in]	DN3			
25C6S	272 [10.71]	554 [21.81]						559 [22.01]							560 [22.05]							Socle Base Sockel Pedestal 5.8 [12.80]
13C24S	789 [31.06]	1071 [42.17]						1076 [42.36]							1077 [42.40]							
18C12S	518 [20.39]	800 [31.50]	161 [6.34]	51 [2.01]	94 [3.70]	94 [3.70]	DN63	805 [31.69]	161 [6.34]	56 [2.20]	99 [3.90]	99 [3.90]	DN63	806 [31.73]	150 [5.91]	62 [2.44]	113 [4.45]	108 [4.25]	DN65			
25C12S	556 [21.89]	838 [32.99]						843 [33.19]							844 [33.23]							
30C6L	397 [15.63]	681 [26.81]						686 [27.01]							687 [27.04]							
40C6L	556 [21.89]	838 [32.99]						843 [33.19]							844 [33.23]							

Les cotes sont données à titre indicatif et ne peuvent en aucun cas engager la responsabilité du constructeur - Approximate dimensions only. Not for construction ! - Technische Nderungen Vorbehalten - Las cotas se indican a titulo orientativo y no son en nigan cas responsabilidad del constructor.

1 rue René Moineau
49123 Champtocé-Sur-Loire
France
Phone : +33 (0)1.77.68.31.00
Fax : +33 (0)1.77.68.31.35
www.pcm.eu



Keep it
moving

PLAN D'IMPLANTATION GENERAL ARRANGEMENT DRAWING
MABZEICHNUNG PLANO DE CONJUNTO

POMPE - PUMP
PUMPE - BOMBA

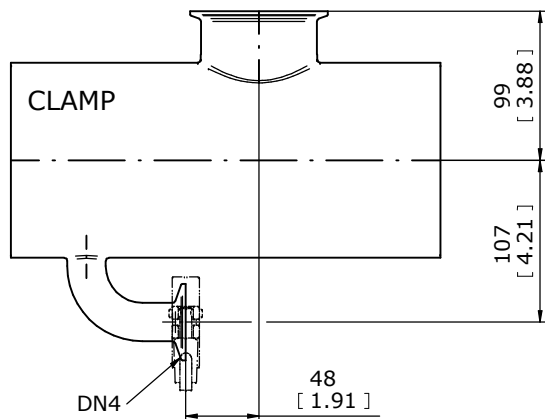
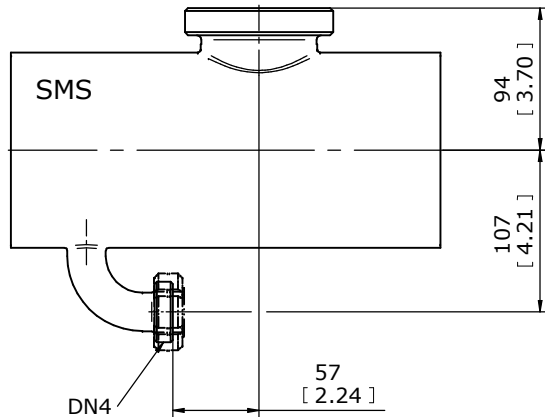
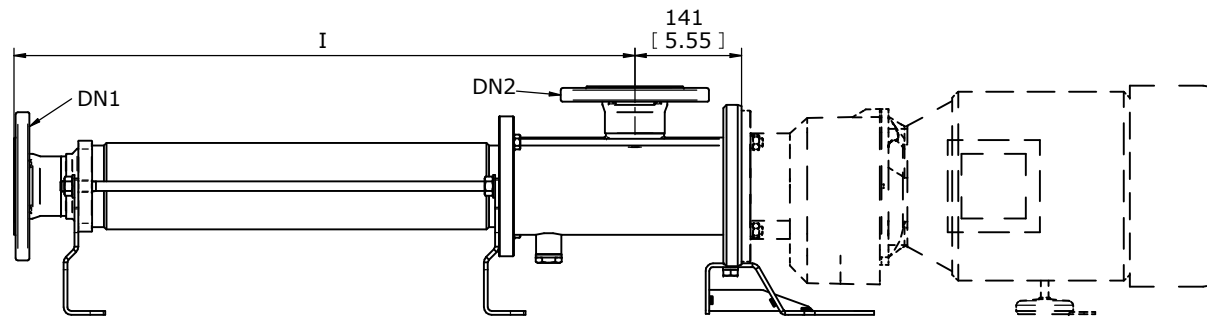
C5 MI Option - Opción

Nom / Name : **CHABERT** Date : **13/02/2012**
Vérification : **GAUVRIT** Date : **11/12/2012**

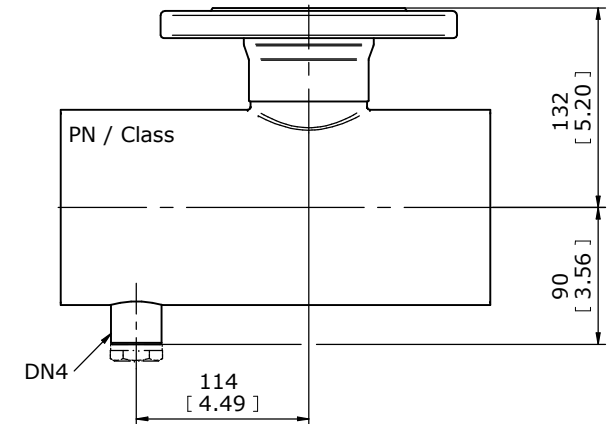
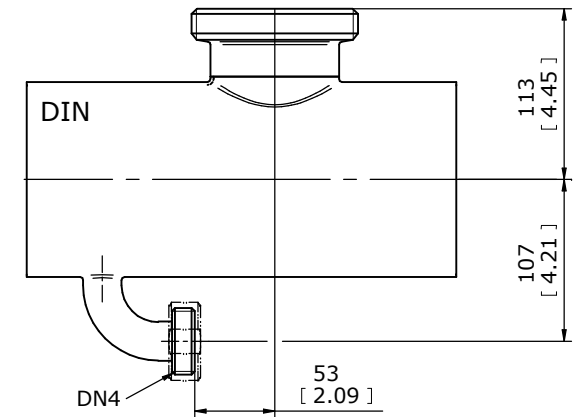
N°: TPE00521-2

Rev.

D



Pompe Pump Pumpe Bomba	DN1 / DN2 SMS DN76		DN1 / DN2 CLAMP DN76		DN1 / DN2 DIN DN80		DN1/ DN2 PN40 DN80 Class 150 NPS 3"	
	I mm [in]	DN4	I mm [in]	DN4	I mm [in]	DN4	I mm [in]	DN4
25C6S	499 [19.65]	DN25	504 [19.84]	DN25	510 [20.08]	DN20	537 [21.14]	G 3/4
13C24S	1016 [40.00]		1021 [40.20]		1027 [40.43]		1054 [41.50]	
18C12S	745 [29.33]		750 [29.53]		756 [29.76]		783 [30.83]	
25C12S	783 [30.83]		788 [31.02]		794 [31.26]		821 [32.32]	
30C6L	626 [24.65]		631 [24.84]		637 [25.08]		664 [26.14]	
40C6L	783 [30.83]		788 [31.02]		794 [31.26]		821 [32.32]	



Les cotes sont données à titre indicatif et ne peuvent en aucun cas engager la responsabilité du constructeur - Approximate dimensions only. Not for construction ! - Technische Nderungen Vorbehalten - Las cotas se indican a titulo orientativo y no son en nigung cas responsabilidad del constructor.

1 rue René Moineau
49123 Champocé-Sur-Loire
France
Phone : +33 (0)1.77.68.31.00
Fax : +33 (0)1.77.68.31.35
www.pcm.eu



Keep it moving

PLAN D'IMPLANTATION GENERAL ARRANGEMENT DRAWING
MABZEICHNUNG PLANO DE CONJUNTO

POMPE - PUMP
PUMPE - BOMBA

C5 MI Option - Opción

Nom / Name : **CHABERT** Date : **13/02/2012**
Vérification : **GAUVRIT** Date : **11/12/2012**

N°: TPE00521-3

Rev.

D